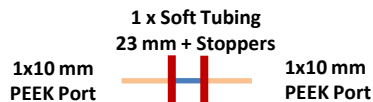
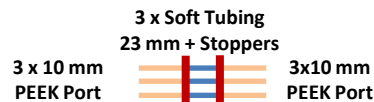


 **cut to the right length
by customer**

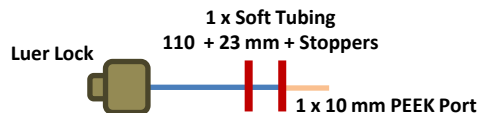
OFM-PH



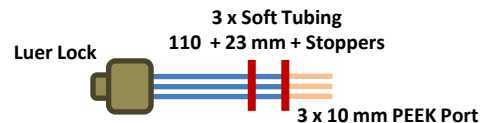
OFM-PH3



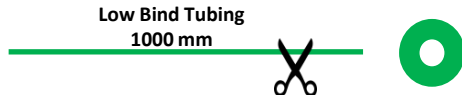
OFM-P-110



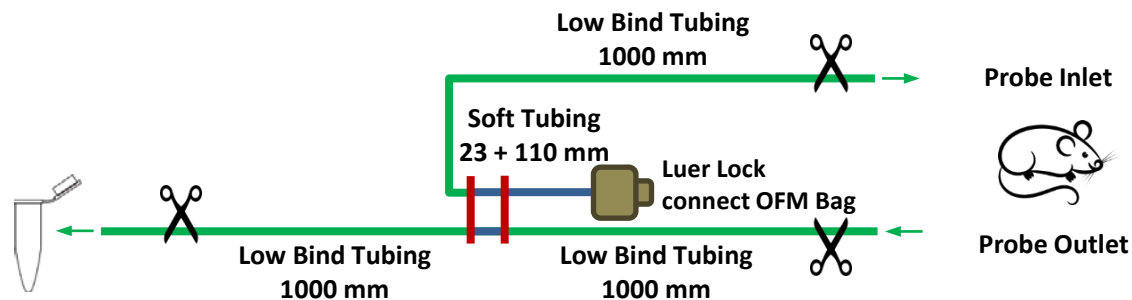
OFM-P3-110



OFM-LT-1000

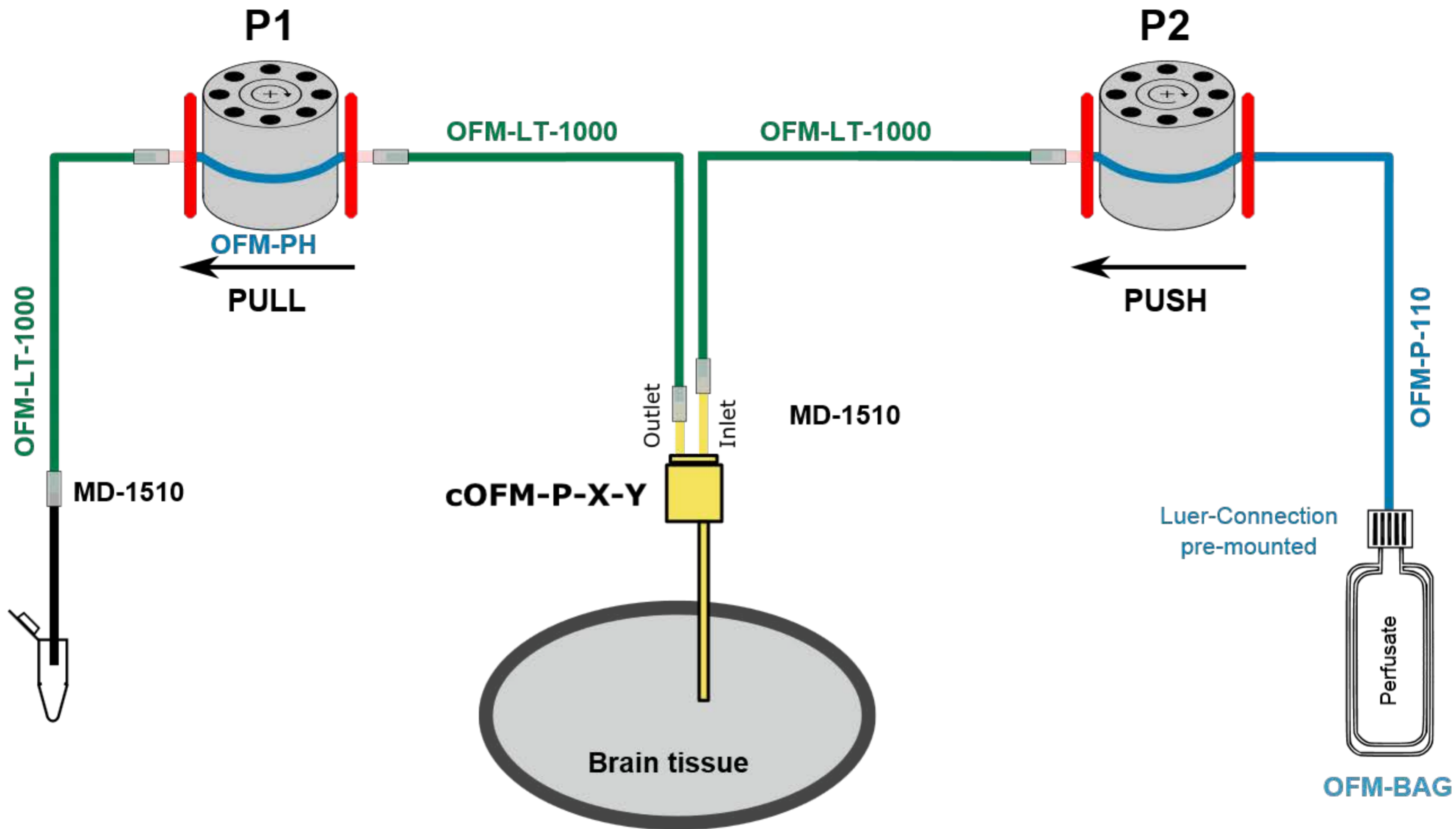


OFM-PP1-LT-1000

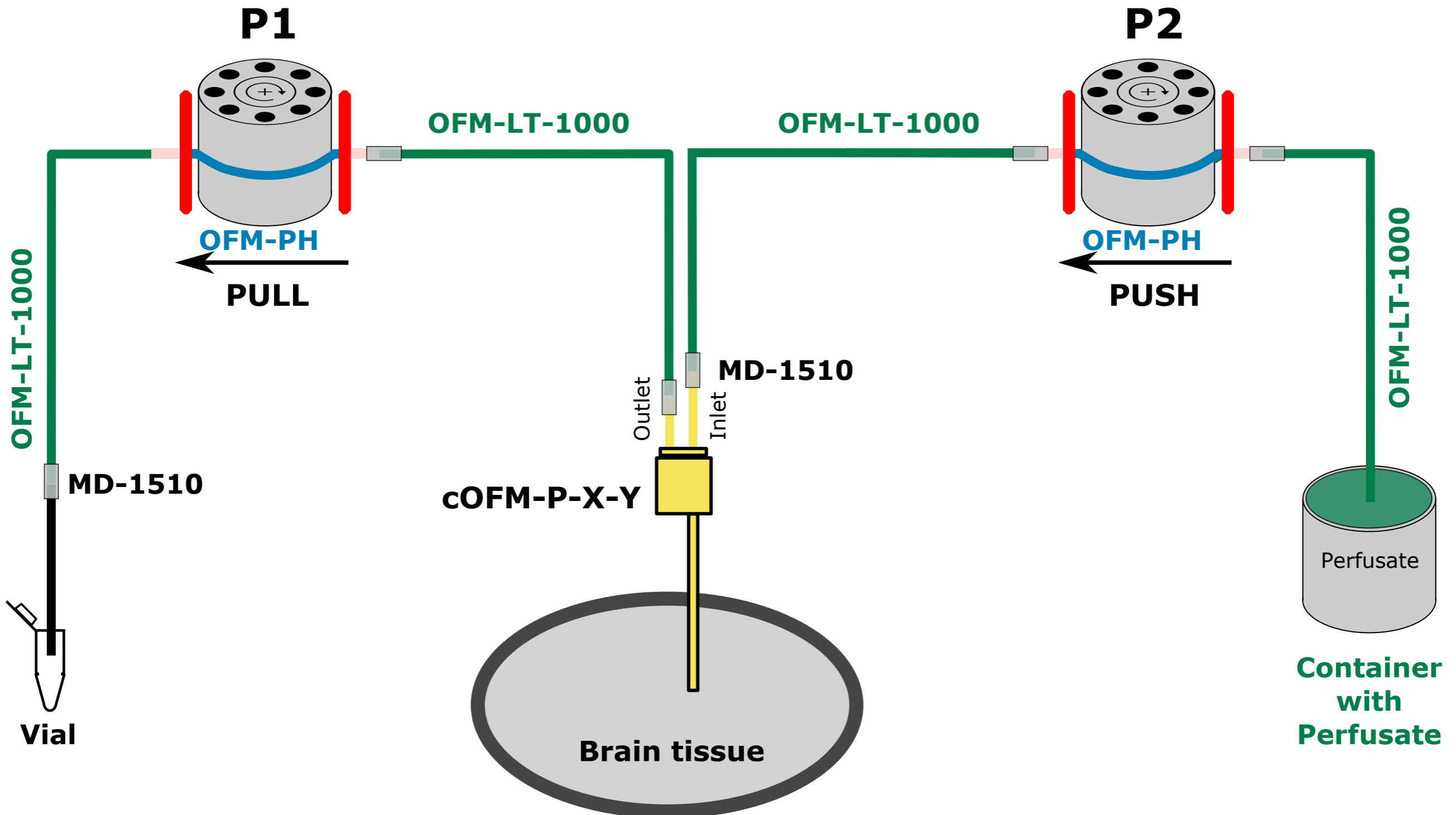


All Tubing ID: 0.25 mm

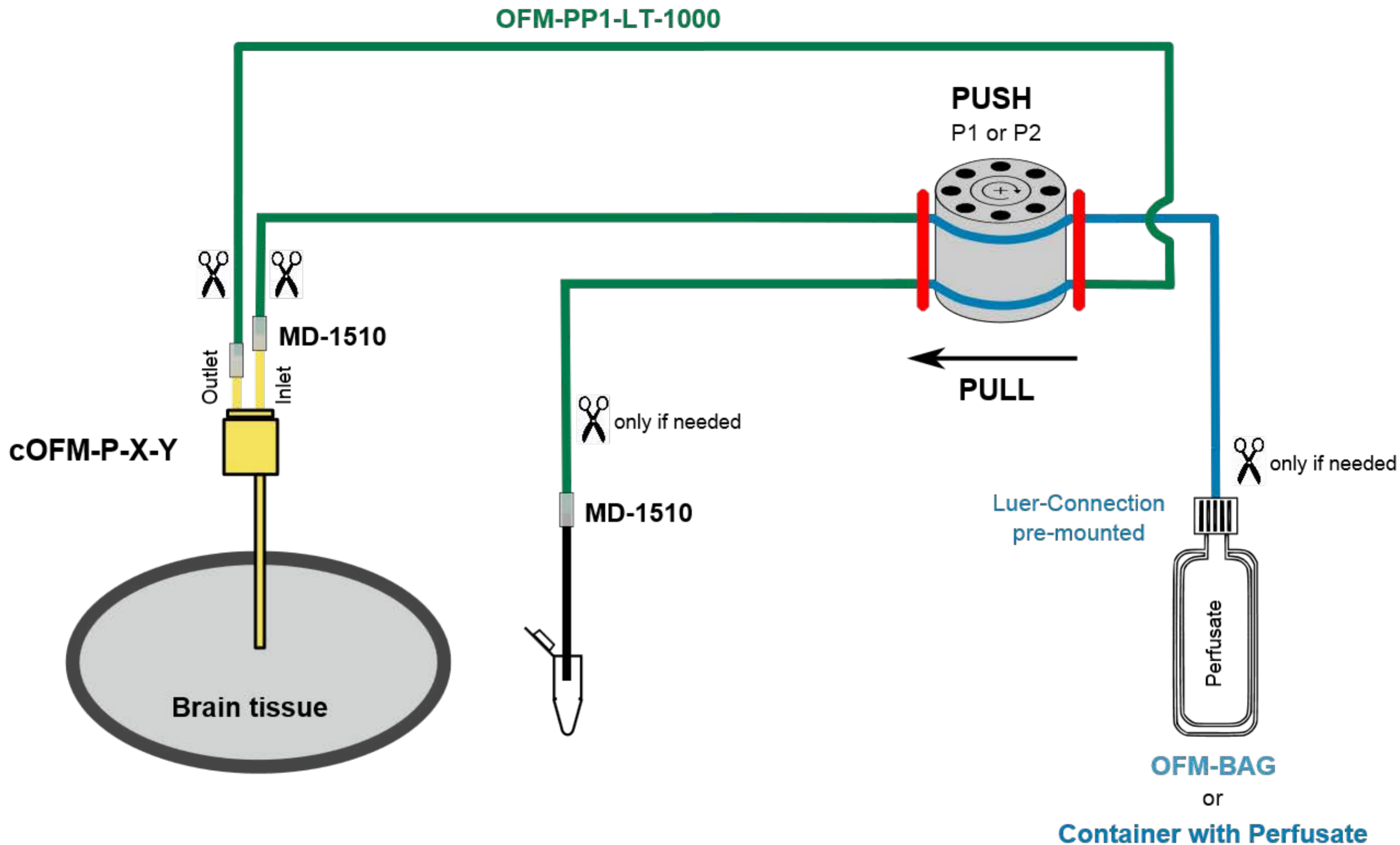
User can calculate the tubing dead volume / flow lag time based on total tubing length and flow rate used



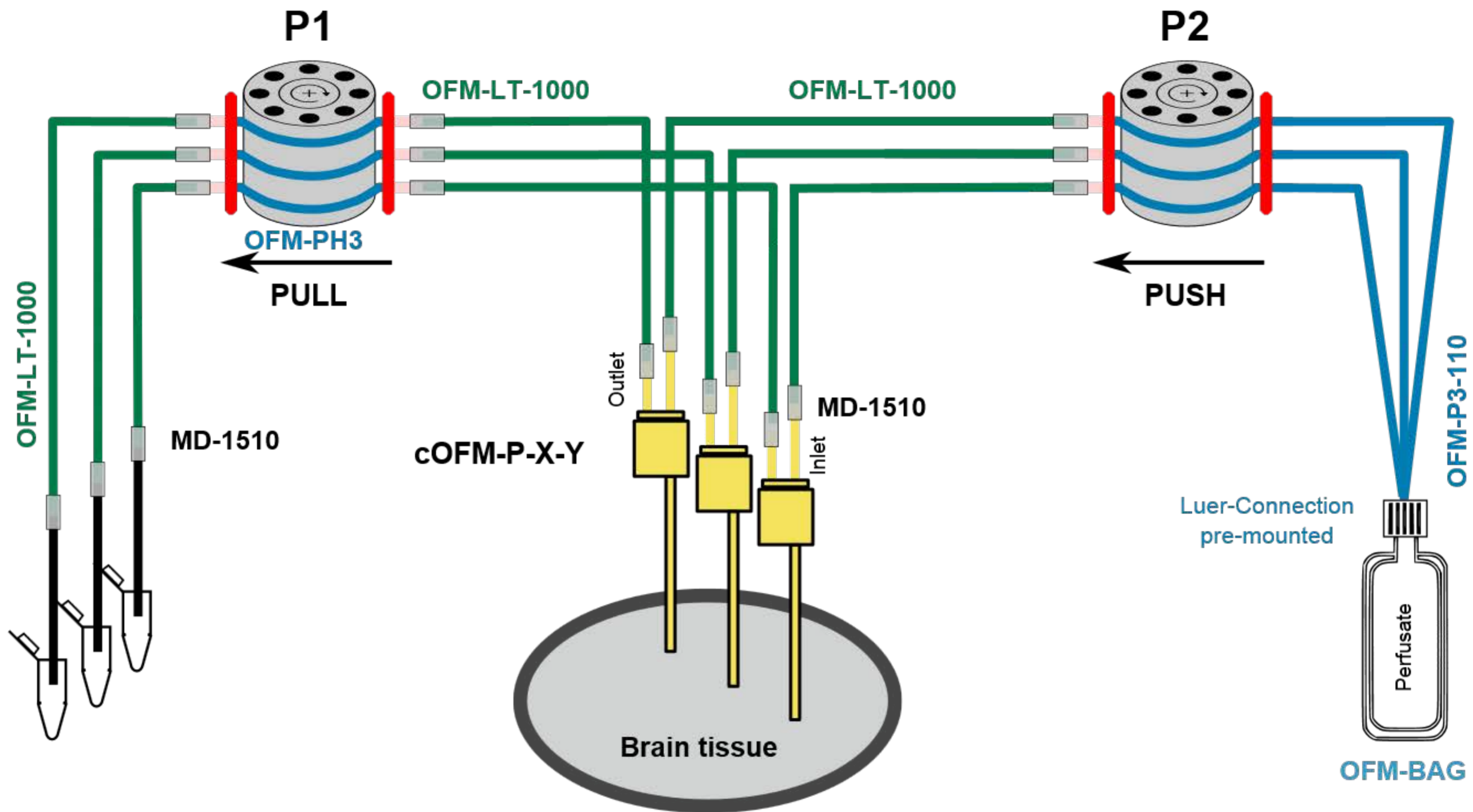
cOFM - One Channel Mode when using OFM-BAG



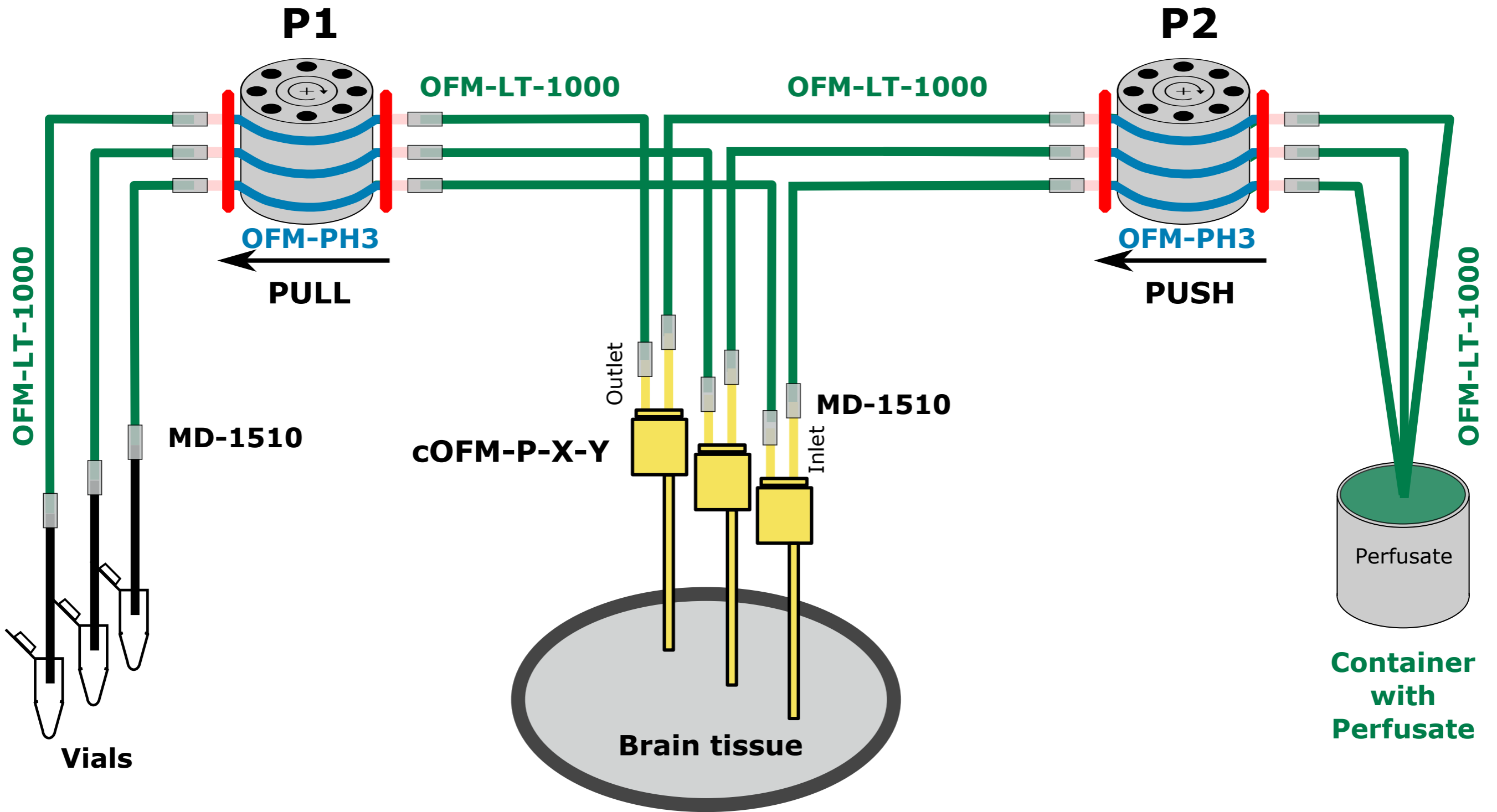
**cOFM - One Channel Mode when using
Container with Perfusate**



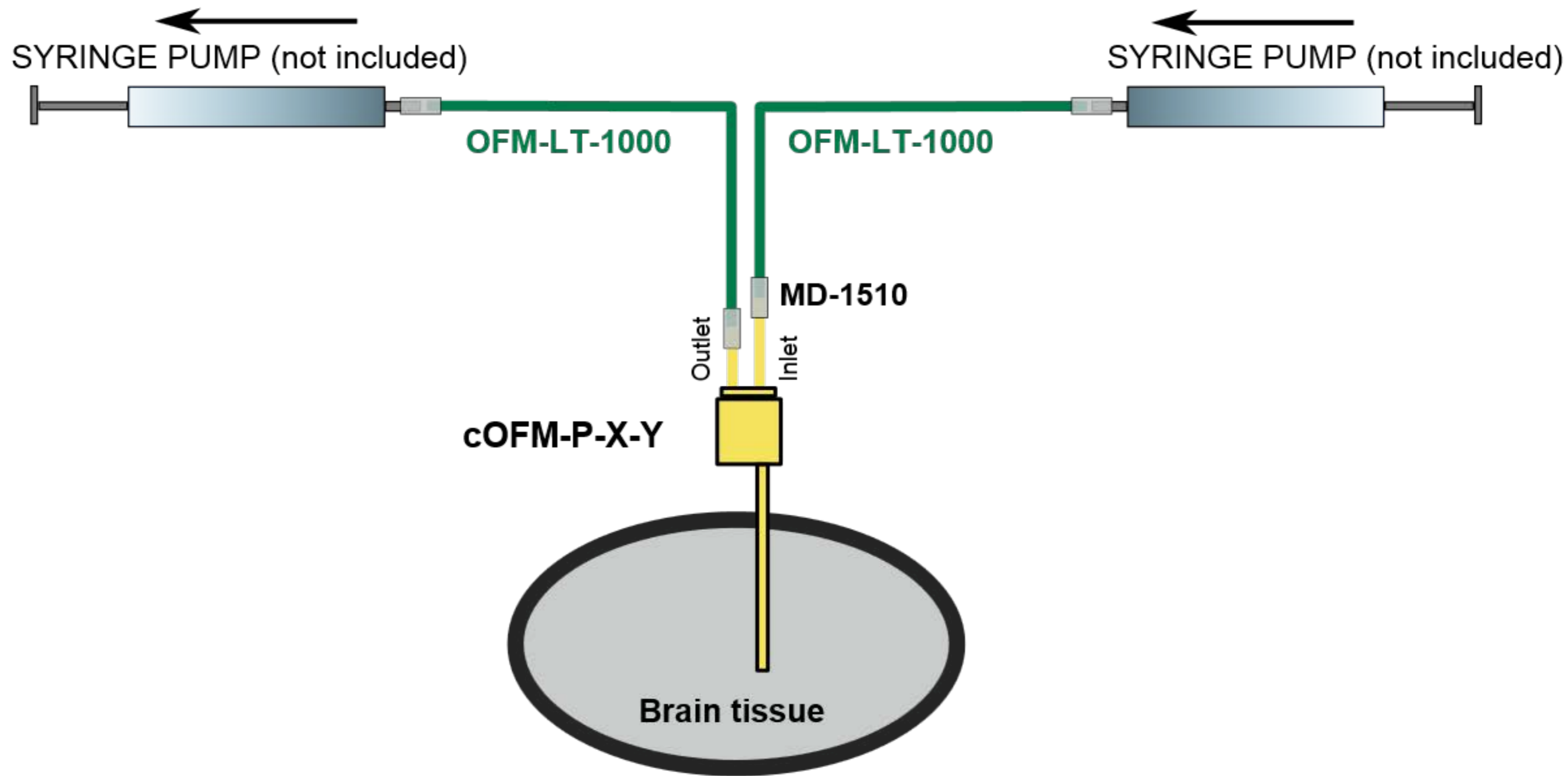
**cOFM - One Channel Mode when using
pre-assembled combined PUSH/ PULL tubing**



cOFM - Three Channel Mode when using OFM-BAG



cOFM - Three Channel Mode when using Container with Perfusate



**cOFM - One Channel Mode
(Anesthetized Animal Set-Up)**