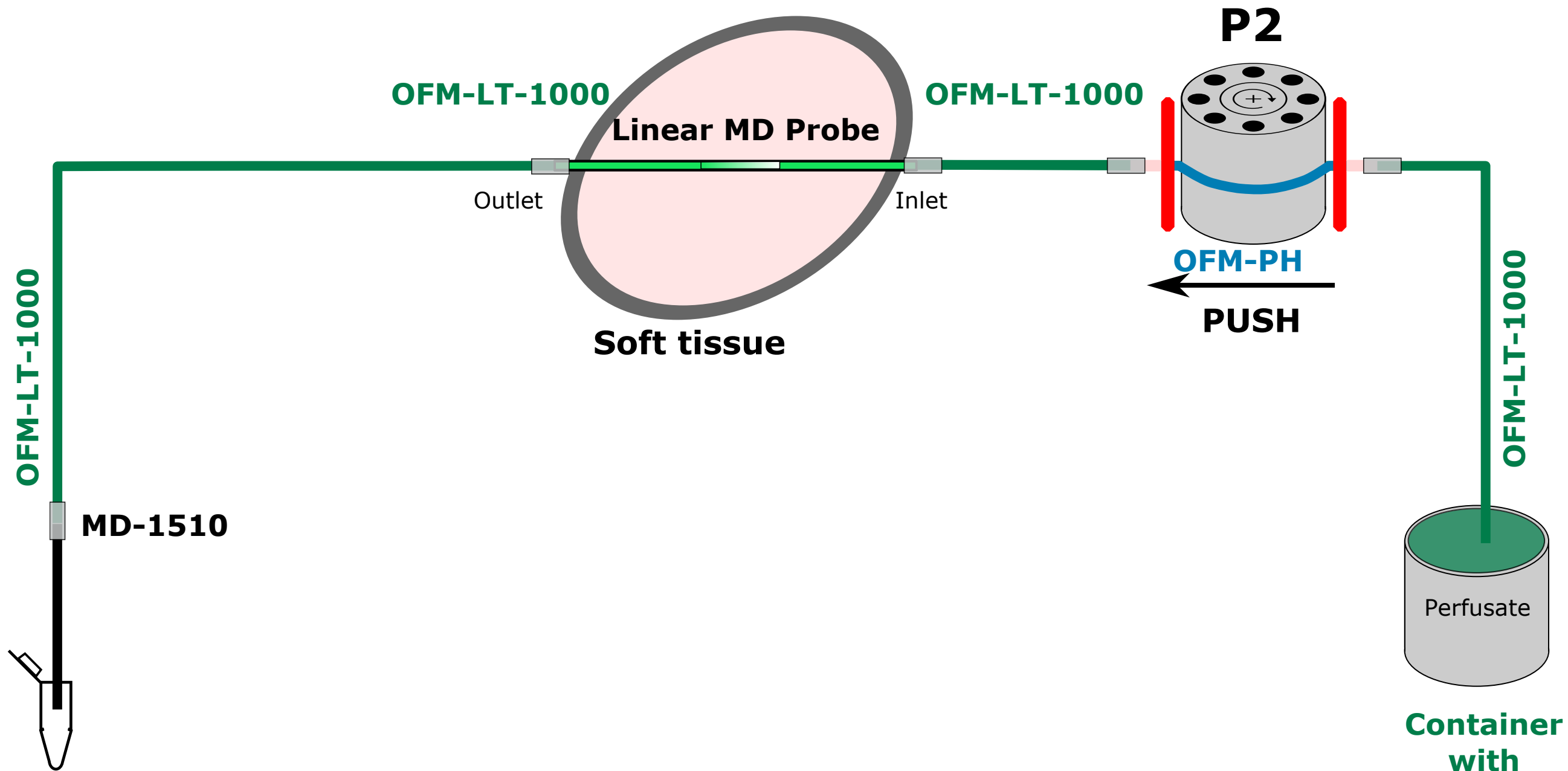
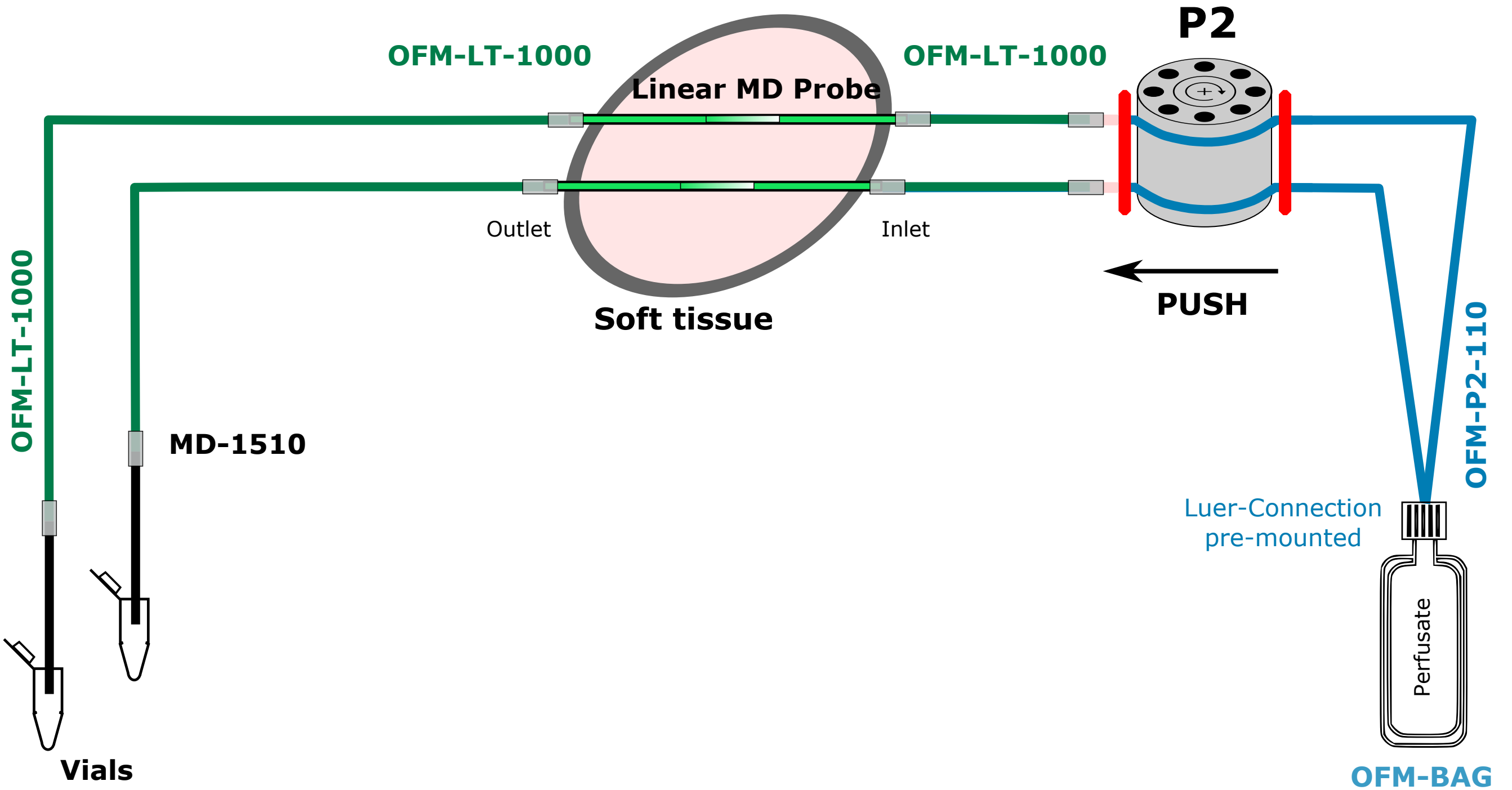


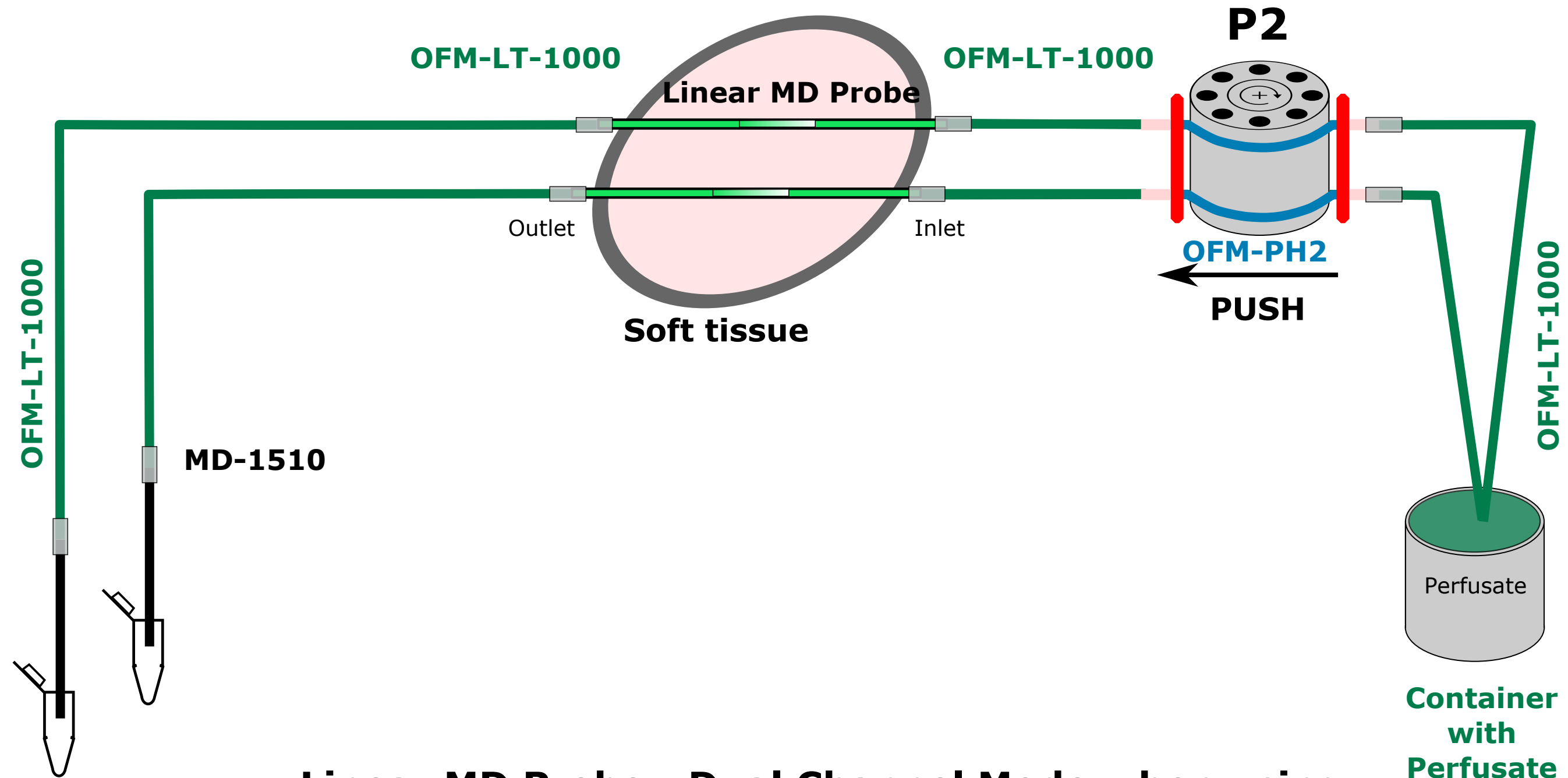
Linear MD Probe - One Channel Mode when using OFM-BAG



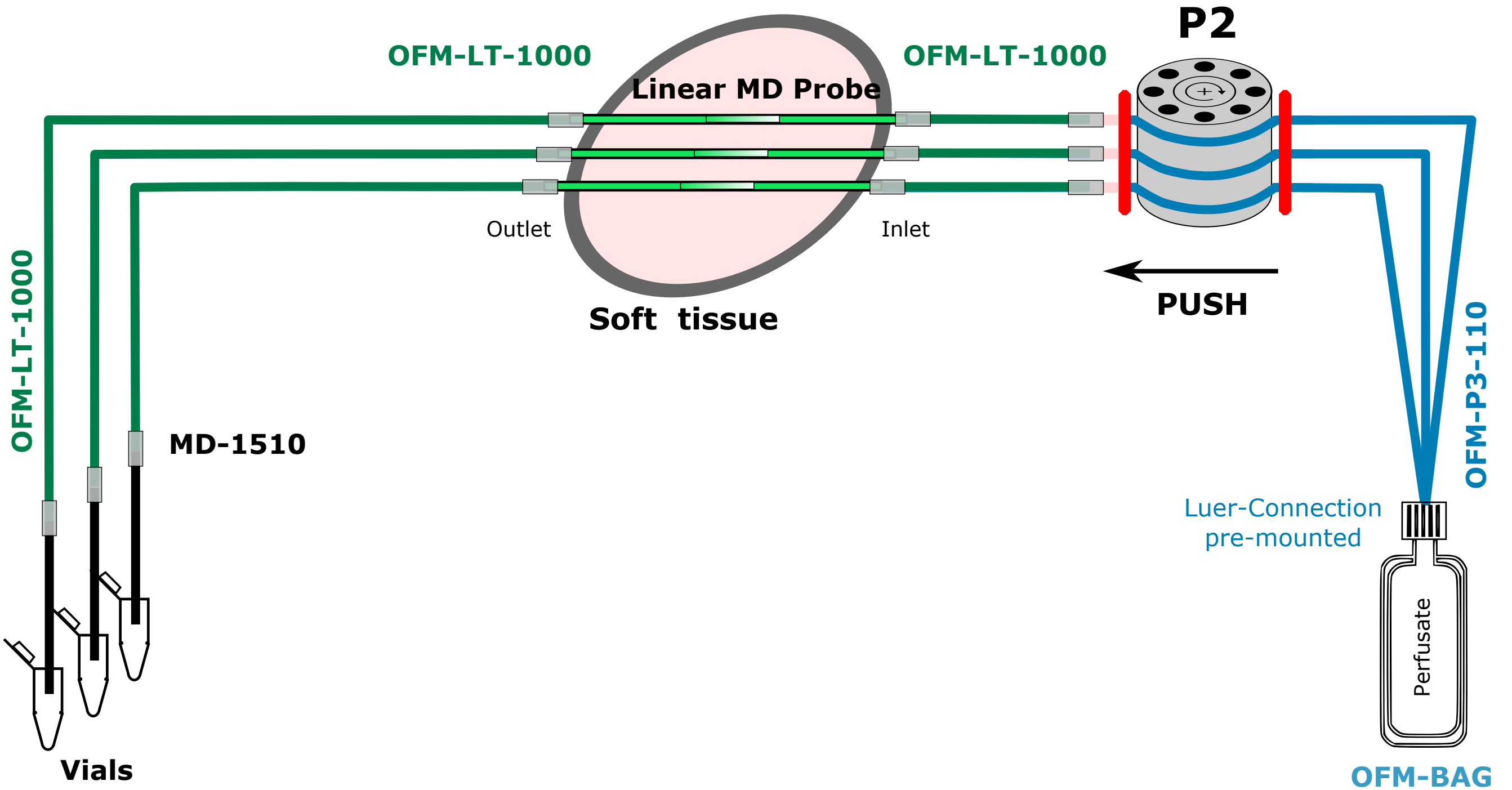
Linear MD Probe - One Channel Mode when using Container with Perfusate



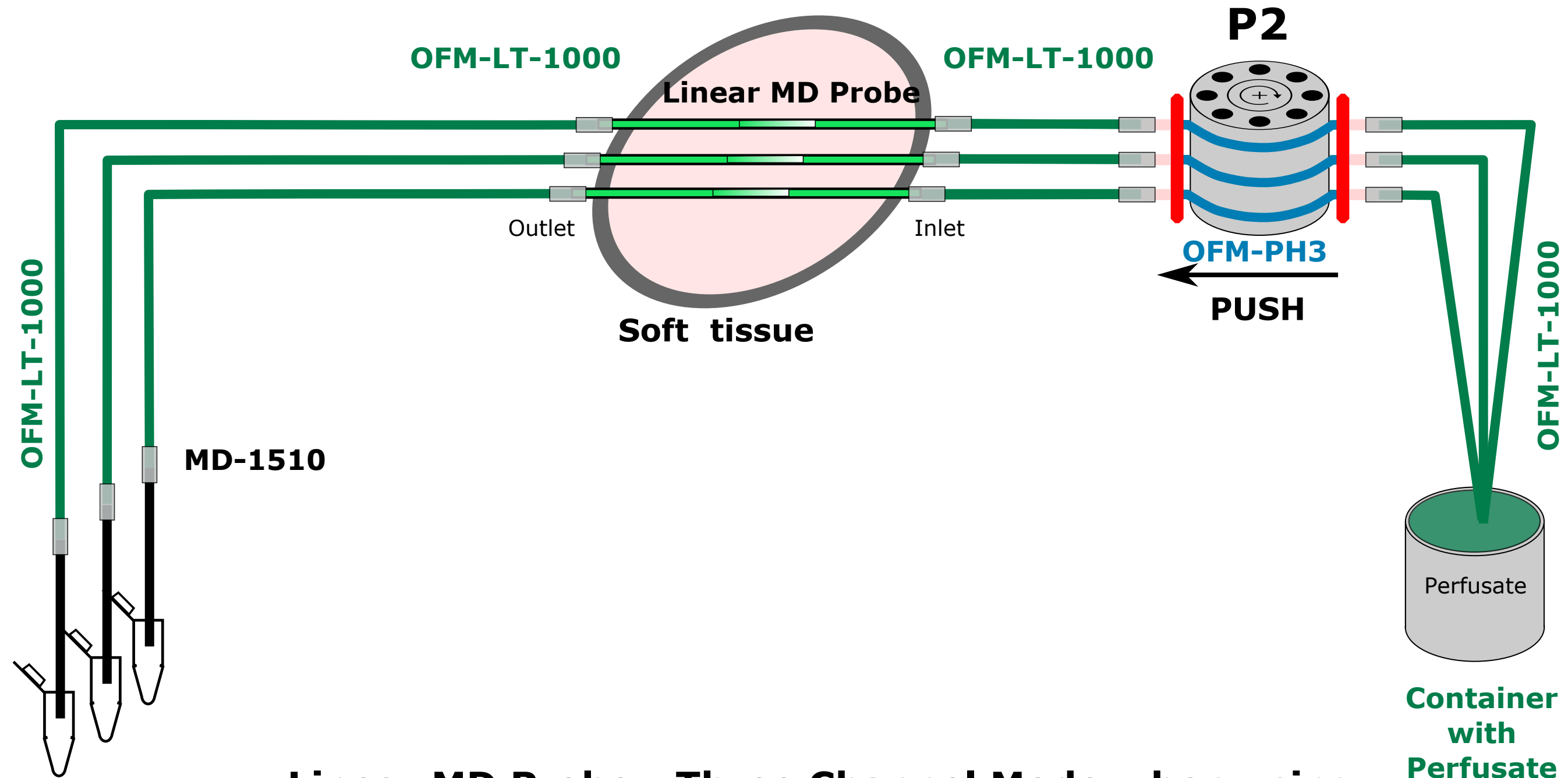
Linear MD Probe - Dual Channel Mode when using OFM-BAG



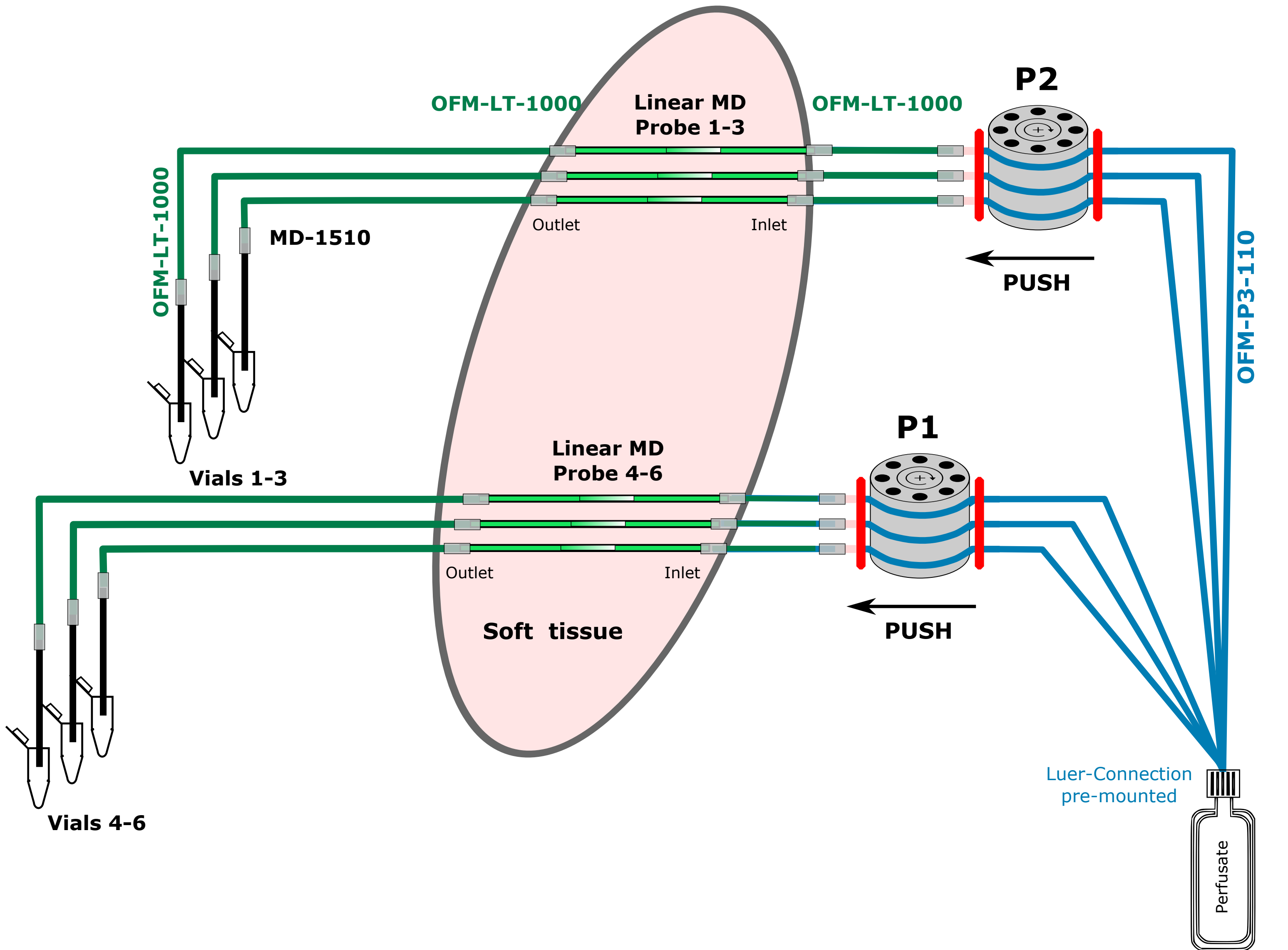
Linear MD Probe - Dual Channel Mode when using Container with Perfusate



Linear MD Probe - Three Channel Mode when using OFM-BAG

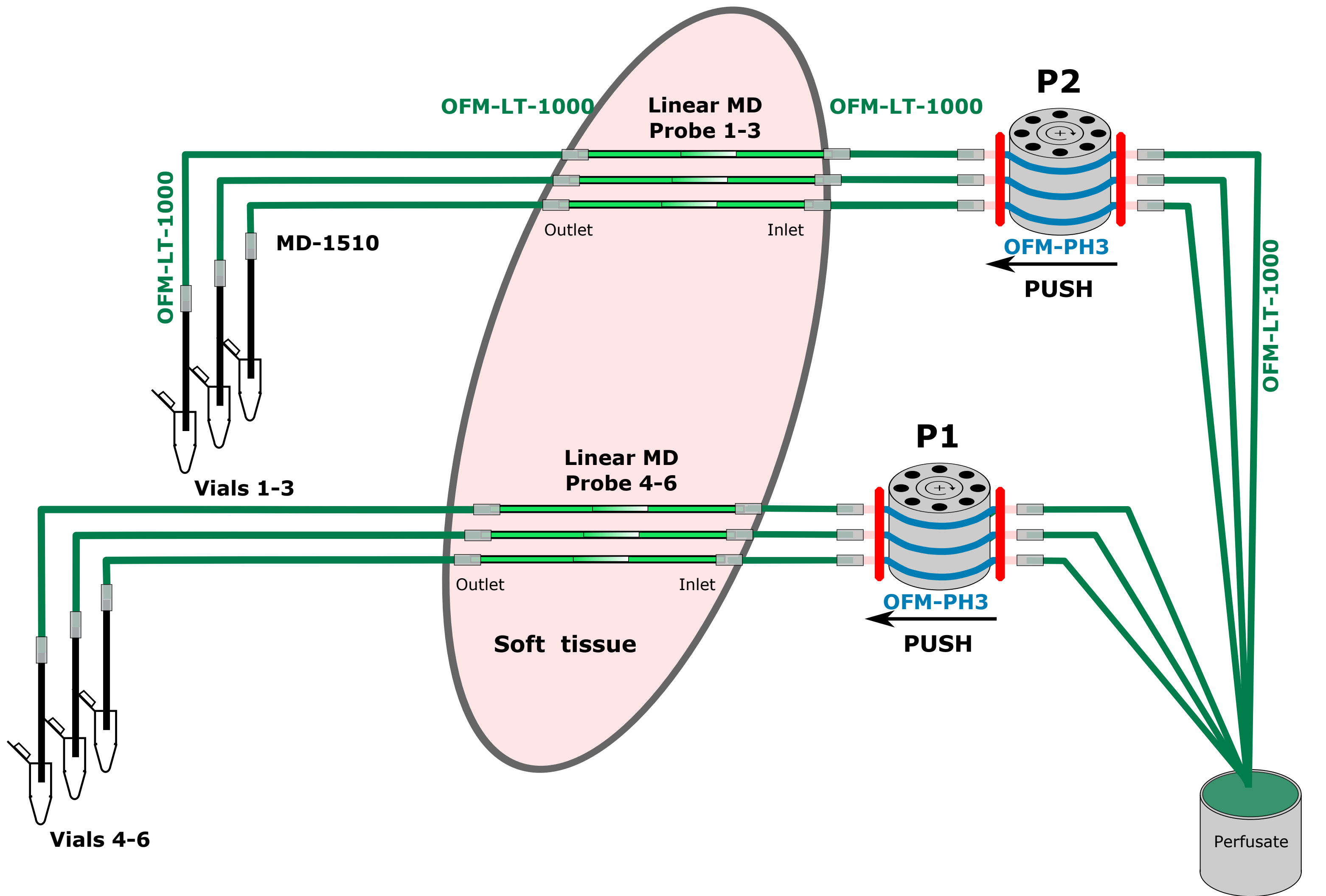


Linear MD Probe - Three Channel Mode when using Container with Perfusate



Linear MD Probe - Six Channel Mode when using OFM-Bag

OFM-BAG



Linear MD Probe - Six Channel Mode when using Container with Perfusate