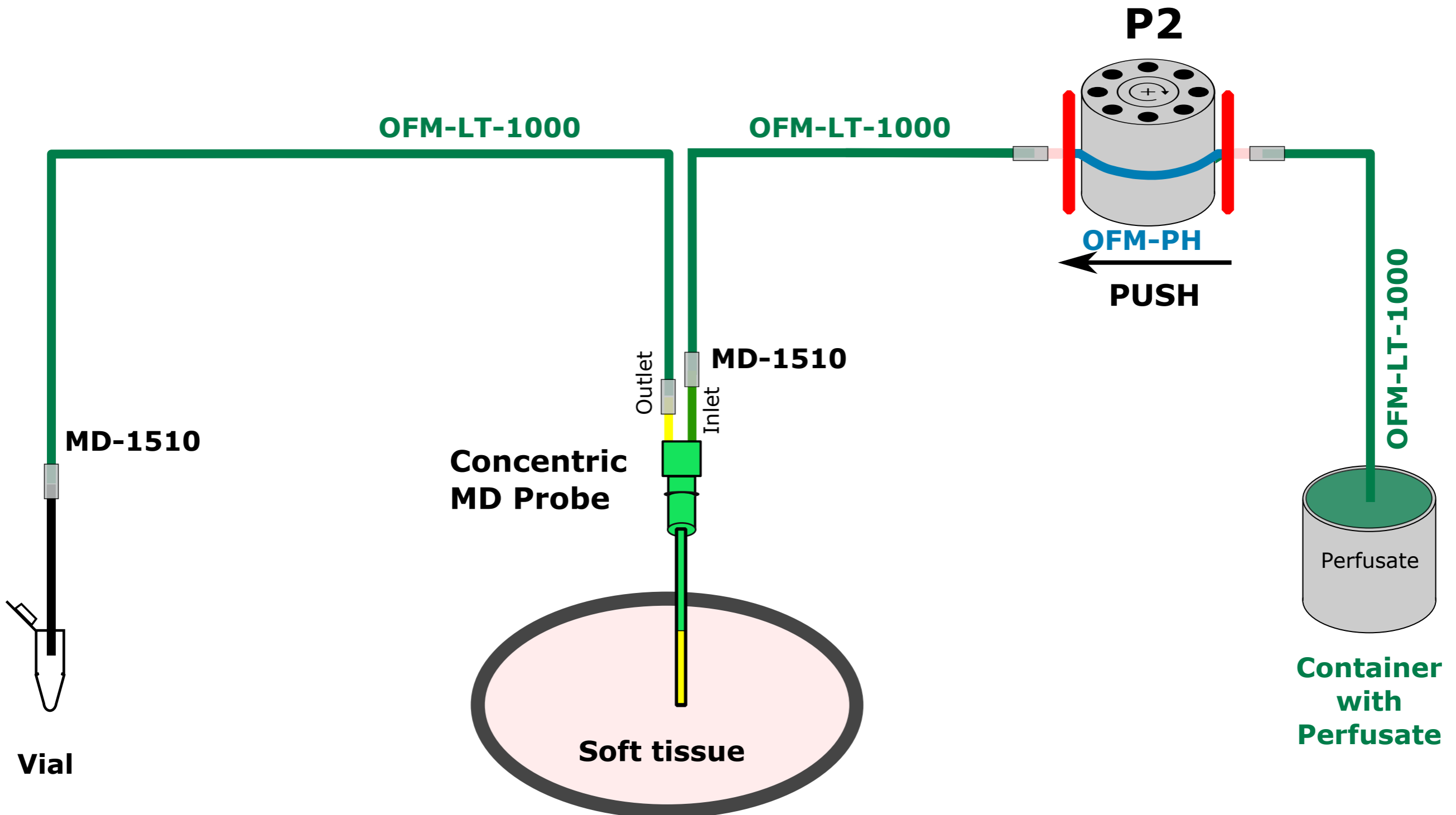
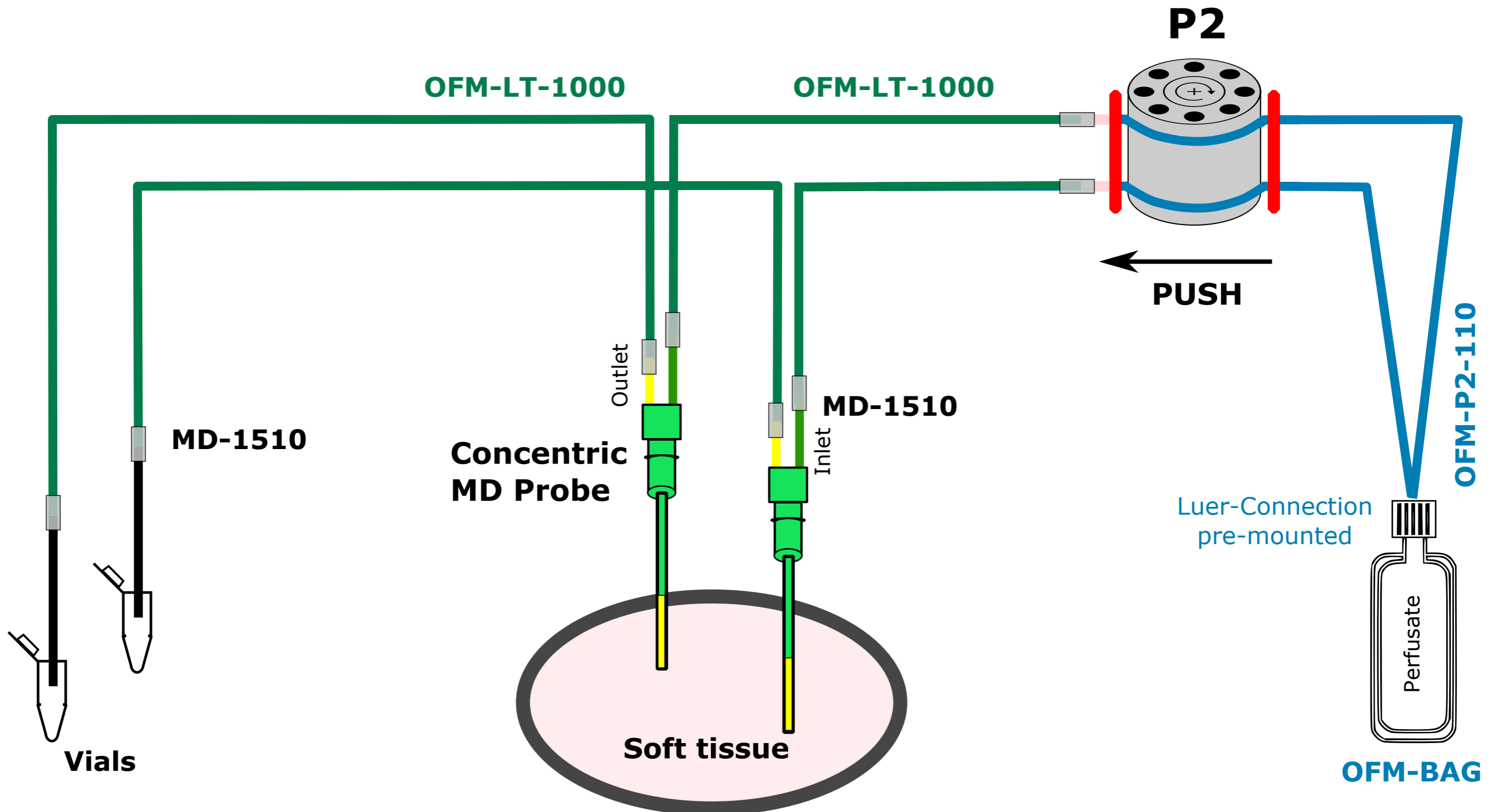


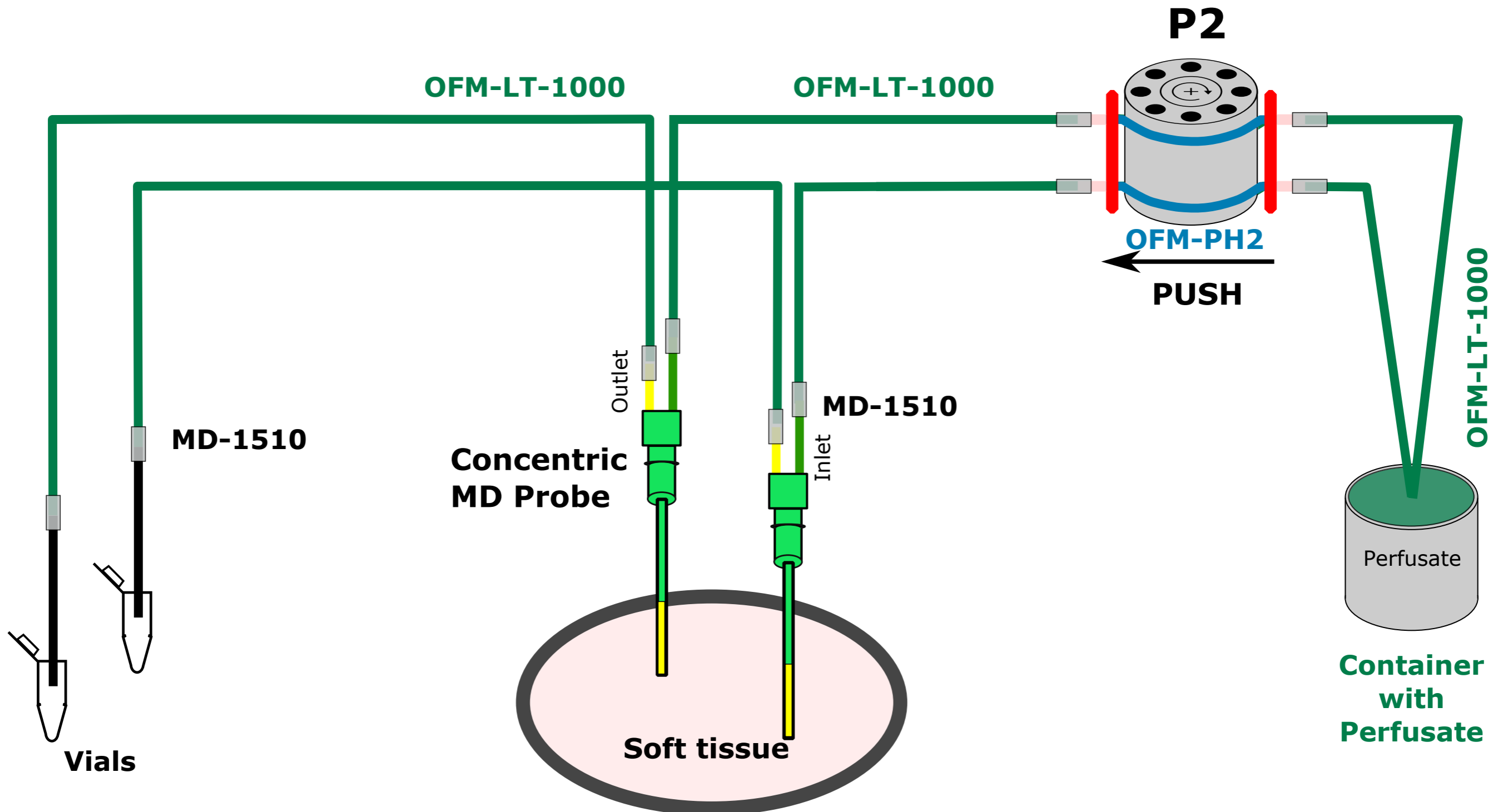
Concentric MD Probe - One Channel Mode when using OFM-BAG



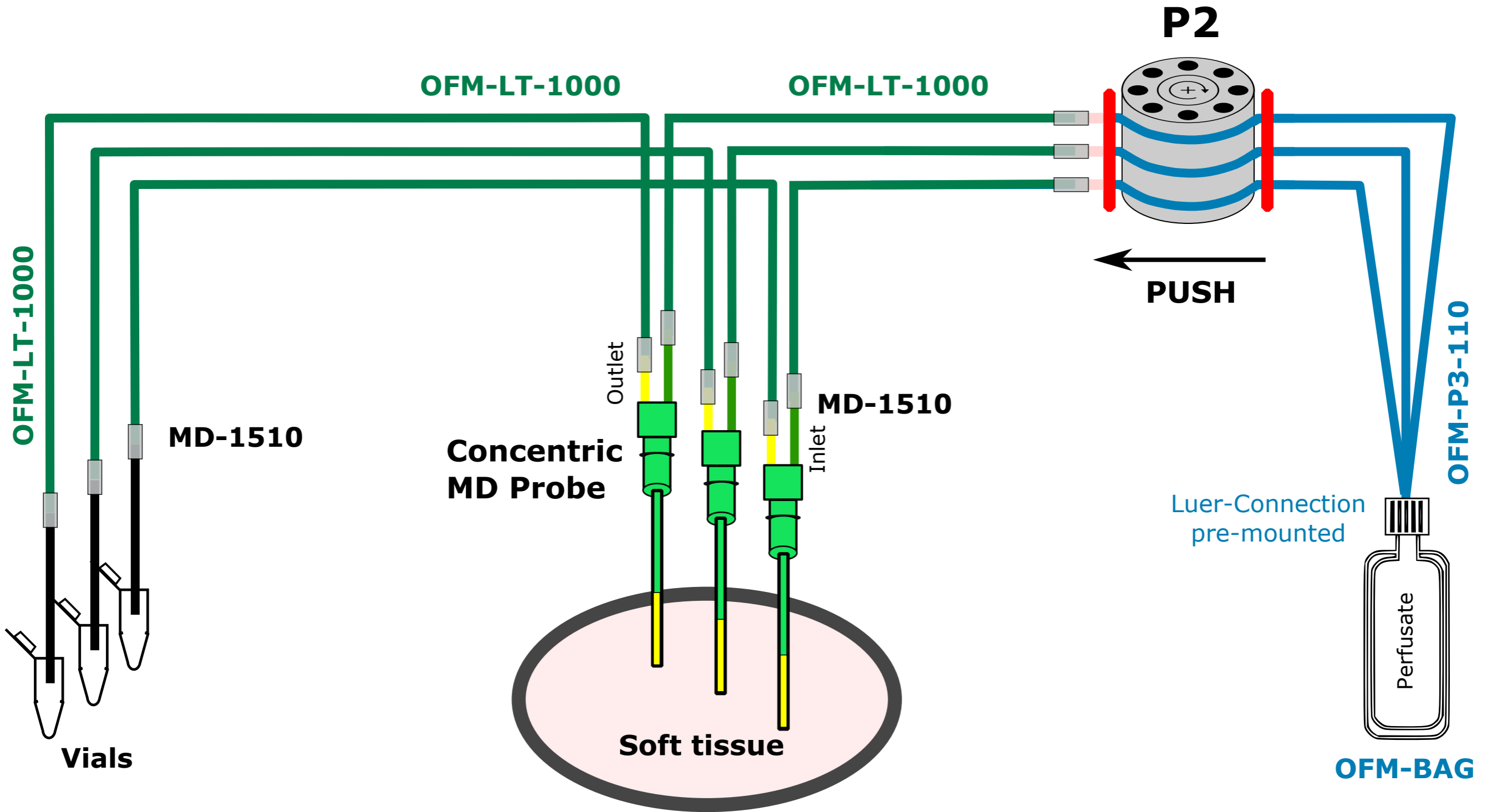
Concentric MD Probe - One Channel Mode when using Container with Perfusate



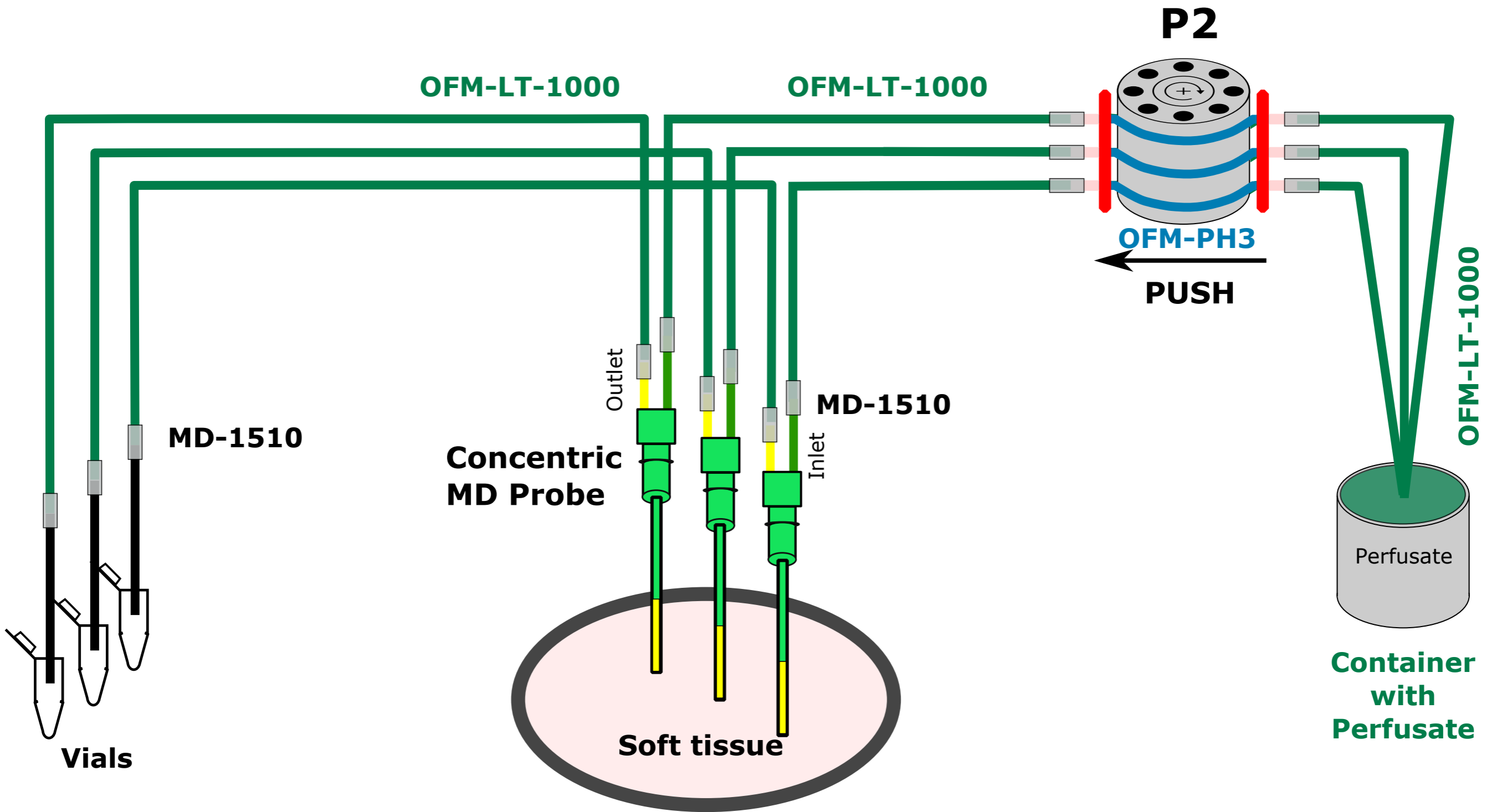
Concentric MD Probe - Dual Channel Mode when using OFM-BAG



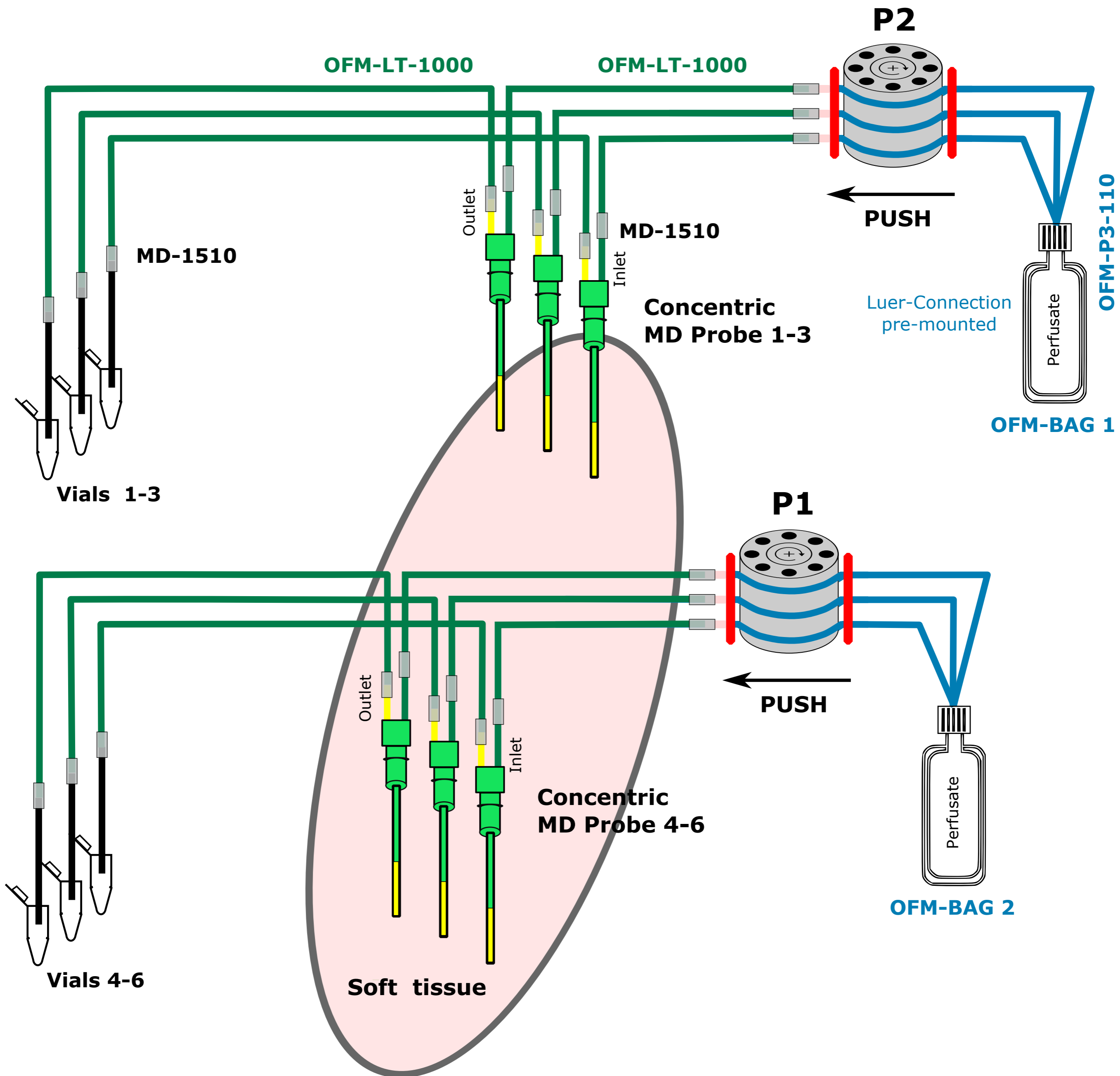
Concentric MD Probe - Dual Channel Mode when using Container with Perfusate



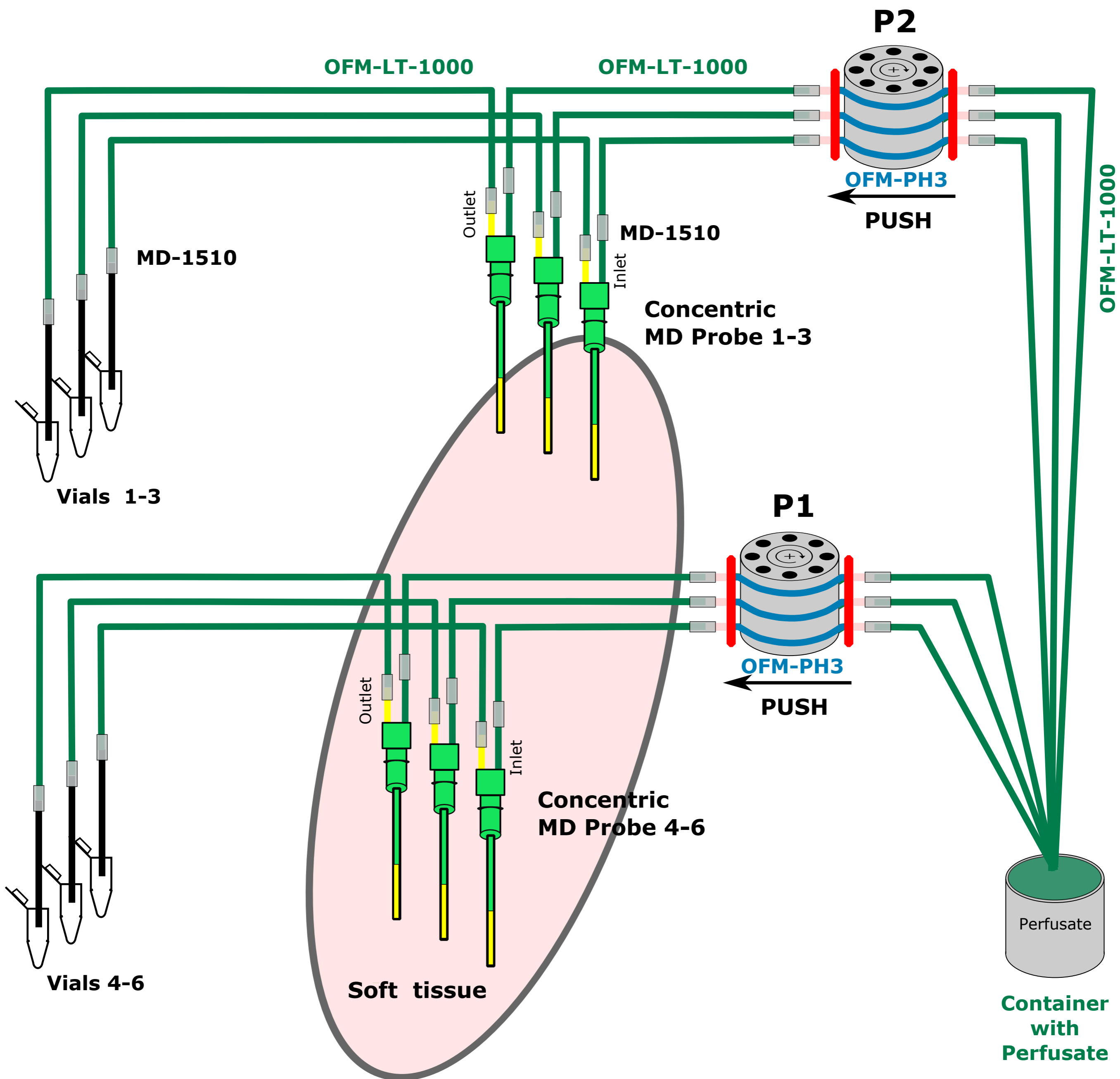
Concentric MD Probe - Three Channel Mode when using OFM-BAG



Concentric MD Probe - Three Channel Mode when using Container with Perfusate



Concentric MD Probe - Six Channel Mode when using OFM-BAGS



Concentric MD Probe - Six Channel Mode when using Container with Perfusate